



微信公众账号



FACEBOOK

安徽长庚光学科技有限公司

www.laowalens.com

服务热线:400-066-1316

Email: sales@laowalens.com

电话Tel: (+86) 551-69107990

地址: 合肥市庐阳区天水路与太和路交叉口庐阳中科大校友创新园5号楼

Add: Building 5, USTC Alumni Innovation Park, Crossing of Tianshui
and Taihe Road, Luyang District, Hefei City, Anhui Province, China

LAOWA S35 7.5mm T2.9 Cine

使用手册
Instruction Manual

LAOWA 老蛙

本公司保留更改产品设计与规格的权利, 届时恕不另行通知;
本公司保留对此《使用说明》的最终解释权。


Please note we reserve the right to change our product's
design and specifications at any time without notice and
to the final interpretation of the *Instruction Manual*.



前言

真诚地感谢您选购 LAOWA S35 7.5mm T2.9 Cine广角镜头。此镜头是S35系统下的超广角镜头,全金属结构,坚固耐用。为了让您充分理解本产品的使用方法和注意事项,请您在使用前仔细阅读本说明书。



 为了操作上的安全,使用本产品前请务必仔细阅读使用手册与注意事项,并将手册放在需要时容易取得的地方。如遇到不能解决的问题请通过售后电话获取技术支持。

主要特色

- 1、S35画幅超广角镜头, 视场角123°, 宽广视角带来震撼视觉体验。
- 2、此款镜头的机械结构全部采用金属材质, 有效了保障了镜头的组装精度, 大幅提升了镜头的耐用性。
- 3、低畸变设计, 在风光建筑拍摄中, 线条保持平直, 有效的减轻视频拍摄的后期校正工作量。
- 4、内部有10组16片镜片, 包含2枚非球面镜片和2枚ED镜片的结构带来的高素质成像。

注意事项

△ 安全注意事项

- 切勿自行拆解、修改或改装。当产品由于外力原因破损, 切勿触碰外露部分或破损边缘处。
- 切勿放置于直射阳光下、封闭车辆中或其余高温处, 否则过高的温度会使镜片和其他部件产生伸缩变形。
- 不使用镜头时, 请将镜头前盖盖上或置于没有阳光照射处。凸透镜反射出的光线可能会聚集在附近物体上, 导致发生火灾。
- 在逆光拍摄时, 切勿将太阳置于画面中心, 应该使太阳充分偏离画角, 否则阳光会在相机内部聚集并导致火灾或灼伤眼睛。
- 在使用相机内置闪光灯拍摄时, 由于镜头本身会遮挡光线而产生渐晕, 因此建议您使用外设闪光灯拍摄。

注意事项

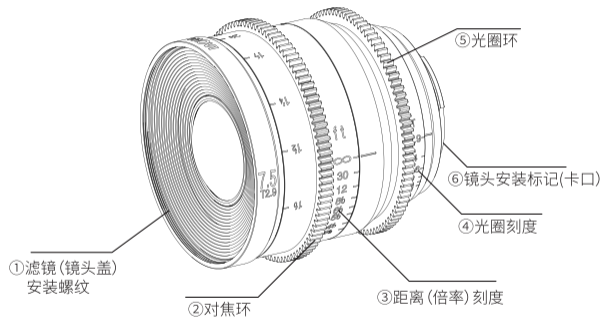
长期使用保养注意事项

- 避免触摸镜头表面,应用专用镜头布或气吹去除镜头表面的尘埃,不使用镜头时,应将镜头盖盖上。
- 使用镜头纸或镜头布清洁时,以螺旋的方式从中间向外擦拭镜头上的污垢以及指印。
- 镜头从寒冷的环境突然转移至温暖的环境时,镜头的外部以及内部镜片将会凝结水雾,所以在转移时应采取防潮保护措施。

附带配件

- 镜头前盖*1 镜头后盖*1 说明书*1 保修卡*1 合格证*1 干燥剂*1 垫片*6

各部件名称



■ 镜头安装

取下摄影机机身盖,取下镜头后盖,将镜头卡口上的安装标记⑥对准电影机座圈上的对应标记,随后将镜头插入机身座圈,根据所购买卡口的安装方向旋转镜头,直至咔嚓声锁紧镜头。安装时请不要用力过猛,以免导致卡口损伤。

安装镜头时,请确保不要让灰尘和其他杂质进入摄影机,同时注意不要触碰摄影机内部部件。

在首次使用镜头之前或讲镜头安装至其他摄影机后,请测量镜后距离,调整后焦点法兰距。

■ 镜头拆卸

关机后按住相机上的镜头释放按钮,依照所购买卡口的安装方向反向旋转镜头,随后将镜头从座圈中拔出。

装上镜头后,请尝试旋转镜头确认是否已将其固定在相机上。

■ 对焦

- 此款镜头是全手动对焦镜头,合焦时,缓慢旋转对焦环②,直至合焦。

不要过猛过快地旋转对焦环,避免用力过度损坏对焦环部件。

镜头上的距离刻度③与景深刻度是出于指导目的。实际焦点与最深可能同刻度标记稍有不同。

如需要非常精确的对焦,请在固定好相机位置的情况下使用最大光圈对焦,对焦完成后再旋至所需要的光圈值。

为了对焦的方便性,请开启相机内的峰值对焦功能(视所使用相机功能而定)。

■ 光圈使用

- 光圈在镜头上调节, 根据拍摄环境和与所需要的景深, 转动光圈环⑤来选择对应的光圈。
由于此镜头无CPU数据, 无法记录光圈参数。

老蛙电影镜头在出厂前会根据不同卡口的电影机调整后焦, 但是不同品牌的电影机后焦会存在一定的偏差, 为了方便调整后焦, 达到最佳成像效果, 老蛙电影镜头在包装里附赠了针对不同卡口尺寸的垫片, 来方便调节后焦。

规格表


LAOWA S35 7.5mm T2.9 Cine	
画幅	S35
焦点距离	7.5mm
T值范围	T2.9-22
视场角	123°
镜头结构	10组16枚(2枚非球面镜片、2枚ED镜片)
光阑叶片	7片
最近摄影距离(物像距离)	25cm
最大放大倍率	0.05 倍
合焦驱动方式	手动(MF)
滤镜尺寸	Φ77mm
镜头尺寸	约φ80mm*80.7mm
重量	约610g (不含前后盖)
卡口	E, Z, RF, X



Preface

Thank you sincerely for purchasing LAOWA S35 7.5mm T2.9 Cine wide lens. It is S35 system ultra wide lens. The lens is made of 100% metal materials ensuring the long-term durability. In order to you can get fully understanding on product usage method and precautions, please read the manual carefully before you use.



 *For safe operation, please read the manual and precautions carefully before you use the product, and place the manual where it is easy to obtain whenever required. If you have any unsolved problem please contact with our after-sales service team for further technical support.*

Features

- The lens is S35 frame ultra wide, its wide field of view 123° can bring shocking visual experience.
- 2. The mechanical structure made of 100% metal materials effectively guarantee the lens assembly accuracy and greatly improve the long-term durability.
- 3. Low distortion design, in landscape and architecture shooting, the lines are kept straight, which effectively reduces the afterward shooting correction workload.
- 4. There are 10 groups of 16 lenses inside, including 2 aspherical and 2 ED lens structure which can take high-quality image.

Precautions

■ △ Safety Precautions

- Do not disassemble, modify the lens by yourself. When the product is damaged due to external force, do not touch the exposed part or damaged edge.
- Do not leave the lens exposed to sunlight and closed vehicle or other high temperature places, otherwise excessive heat may deform the glass elements and other parts of the lens.
- When you do not use the lens, please cover front cap or leave it in a shade place, convex lens reflects light may be gathered on near objects and causes a fire.
- Do not place the sun in the frame center when shooting with backlight, you should make the sun deviates from the center to the corner, otherwise sunlight will be gathered in the camera and cause a fire or burn your eyes.
- The camera's built-in flash will cause vignetting because the lens shelters light. It is recommended you use external flash.

Precautions

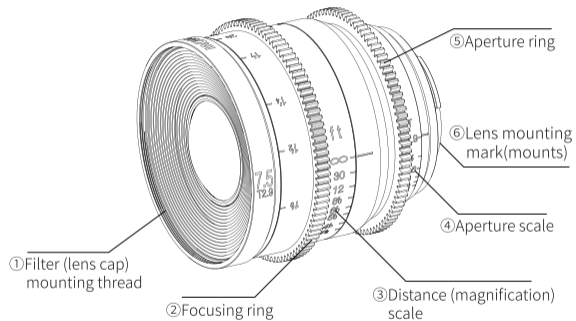
■ Long-term maintenance and precautions

- Do not touch the lens contacts. Clean by a lens cloth or a blower to remove the lens dirt. Always place the lens cap on the lens when storing.
- When you use lens paper or lens cloth to clean, remove the dirt and fingerprints on the lens from the middle to the outside in a spiral way.
- When the lens is suddenly transferred from a cold environment to a warm environment, the external and internal lenses will condense water mist, so moisture-proof protection measures should be taken during the transfer.

Attached accessories

- Lens front cap*1 Lens back cap*1 Manual book*1 Warranty card*1 Certificate of inspection*1 Desiccant *1 Gasket *6

Nomenclature



Instructions

■ To install the Lens

Remove the camera body cover and the lens rear cap. Align the mounting mark ⑥ on the lens bayonet with the mounting mark on the film projector seat ring, then insert the lens into the camera seat ring and rotate it in the direction for your lens version until it locks. Do not use excessive force during installation to avoid damage to the bayonet.

When installing the lens, please make sure that dust and other impurities do not enter the camera, and at the same time be careful not to touch the internal parts of the camera.

Before using the lens for the first time or after installing the lens to other cameras, please measure the distance Through The Lens and adjust the back focal flange distance.

■ To remove the lens

Turn the camera off. While pressing the lens release button on the camera, rotate the lens in the opposite direction, then detach the lens from seat ring.

After installation of the lens, please try to rotate the lens to make sure it mounted onto the camera properly.

■ Focusing

This is a fully manual focusing lens. In-focus rotate the focusing ring ② slowly until to the end.

Turn the focus ring slowly and gently to prevent the focusing mechanism from damage.

The distance scale ③ and depth of field scale are for instructional purposes only. Actual focus and depth of field may slightly differ from those scale indications.

To get precise focusing, it is recommended to focus through max aperture when the camera position is fixed. After finish focusing, then set the desired aperture by rotating the aperture ring.

For the focusing convenience, please turn on peak focusing function on the camera (Note that the function depends on camera models.)

Setting the Aperture

Aperture is adjusted through the lens. According to the shooting situation and desired depth of field, rotate the aperture ring ⑤ to the corresponding aperture.

Since the lens has no CPU data, the aperture value can not be recorded.

Before delivering the lens, LAOWA will adjust the back focal length according to different bayonets of the film projectors, but there will be slightly different for different brands film projectors back focal length. In order to facilitate the adjustment of the back focal length and achieve the best imaging effect, the LAOWA film lens is attached in the package with gaskets for different bayonet sizes to facilitate the adjustment of the back focal length.

Specifications

LAOWA S35 7.5mm T2.9 Cine	
Format	S35
Focal Distance	7.5mm
Aperture Range	T2.9-22
Angle of View	123°
Lens Structure	ten groups 16PCS(two aspherical lenses, two ED lenses)
Aperture Blades	7
Min. Shooting Distance	25cm
Max. Magnification	0.05X
Focusing	manual (MF)
Filter Thread	Φ77mm
Dimensions	Φ80mm*80.7mm
Weight	about 610g (exclude front and back caps)
Mounts	E, Z, RF, X

